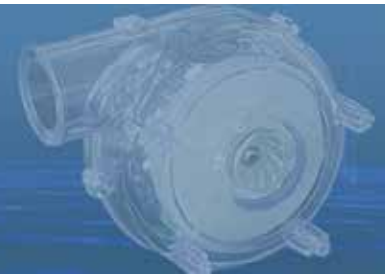


BA7060-K

BA7060H24B-K-Integrated



Features:

- 24 VDC rated input
- Built-in driver
- 0-5v or PWM input speed control
- High efficiency three-phase brushless DC motor
- Environmentally friendly materials

Advantages:

- High pressure 7.8 kpa
- Mini compact
- Low noise
- High speed
- waterproof
- High reliability
- Lightweight
- Low inertia

Applications:

- Vacuum system
- Air cushion machine
- CPAP
- Pressure bed
- Lampblack exhaust system
- 3D Printer
- Medical equipment
- High voltage low noise applications

TKFAN-BA7060H24B-K-Integrated high-pressure mini blower adopts a compact design,featuring a strong air pressure of 7.4kPa and a large air volume of 16.2CFM,while maintaining ultra-low noise operation and meeting strict heat dissipation requirements.The built-in driver version can be used directly by connecting to the power supply.We can also provide customized external drive solutions based on customer needs,flexibly adapting to various application scenarios,such as CPAP,medical PAPR , air cushion equipment , bubble machines and other positive and negative pressure devices.

We always adhere to the principle of customer demand-oriented, providing professional technical support and customized services. From air volume, noise to size and interface, we can optimize the design to ensure long-lasting and stable heat dissipation guarantee for your equipment.

SHENZHEN TENKAI GROUP LIMITED is a leading professional manufacturer of high-end cooling fans and blowers in China, dedicated to providing precise, efficient and low-noise cooling solutions for the global customers.

Choose TKFAN and let professionalism and innovation empower your products!

1 .Technical Data

Electrical	Unit	Value
Dimension	[Mm]	76.2X64.78X53.95
RatedVoltage	[V _{dc}]	24
Voltage Range	[V _{dc}]	18 to 40
Rated Current	[A]	2.2
Rated Power	[W]	52.8
Rated Speed	[rpm/min]	36 000
Static Pressure (When Air Flow= 0)	[Pa]	7420
Air Flow (In Free Air)	[l/min]	458

Environmental

Ambient temperature(operating)	[°C]	-40 to 60
Ambient temperature(storage)	[°C]	-40 to 60
Relative humidity(noncondensing)	[% RH]	10 to 85
Waterproof level		IP68
Maximumoxygen concentration	[%]	N/A

Motor

Type		Brushless direct current motor
Winding insulation class		N/A
NTC type		N/A

Lifetime

L10 at 25 °C ambient temperature	[h]	10000
----------------------------------	-----	-------

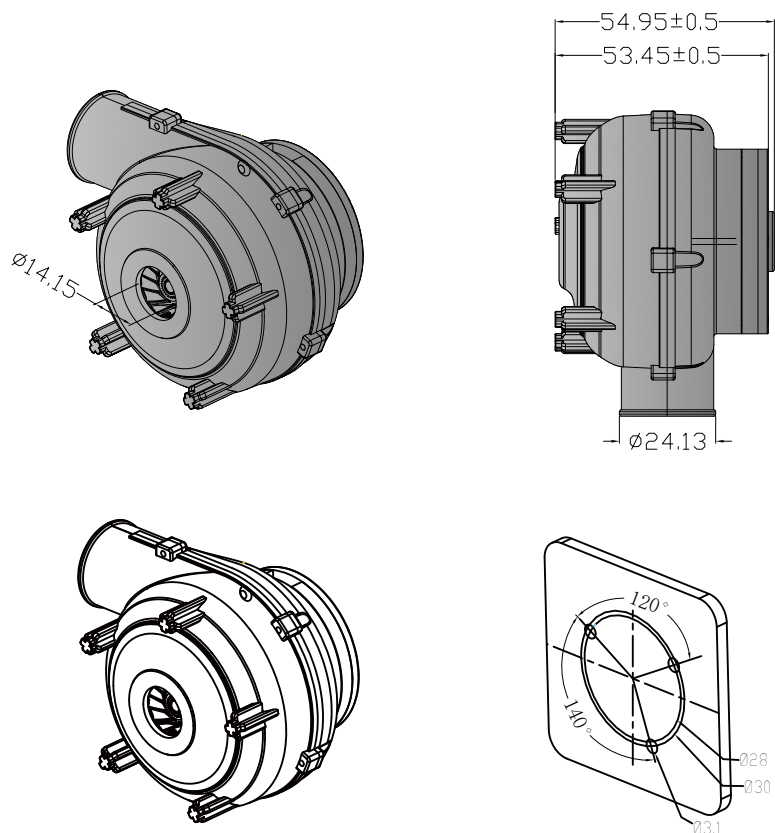
Noise

Sound pressure level	[dB-A]	71.8
----------------------	--------	------

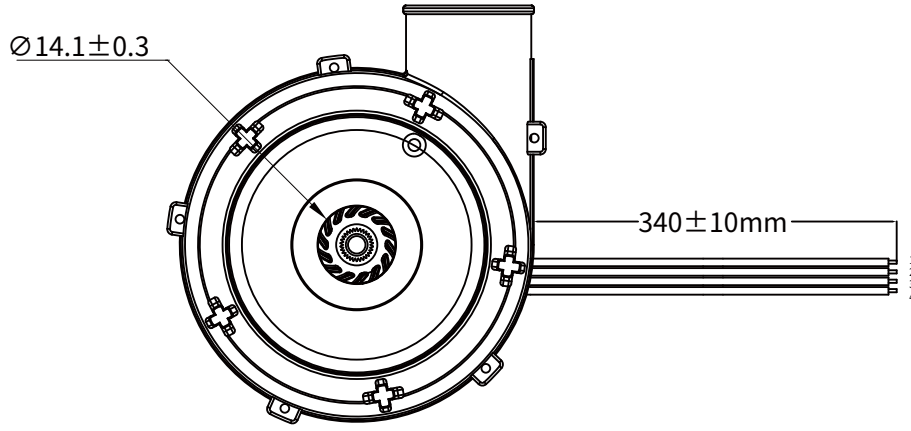
Mechanical

Blower weight	[g]	177
---------------	-----	-----

2 .Mechanical Structure Diagram



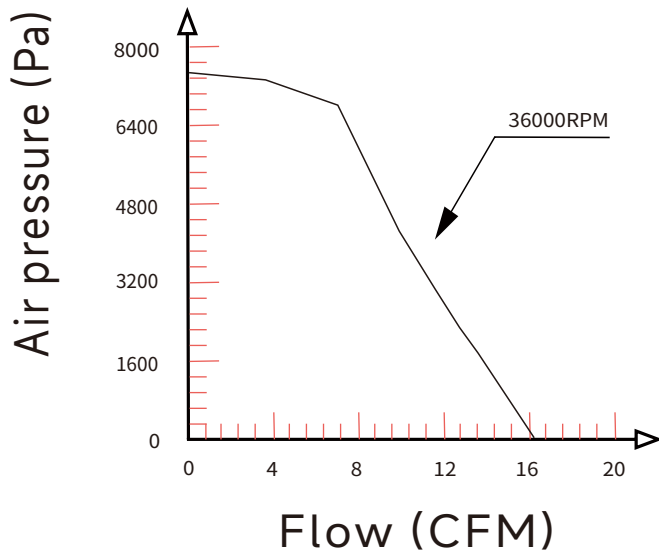
3. Electrical Connection Diagram



Wire model	Wire Number	Colour	Function
UL 1007#22AWG	1	Black	-
	2	Red	+
	3	Yellow	FG
	4	Blue	PWM

4 .P-Q Data and Curve

4.1 PQ Curve

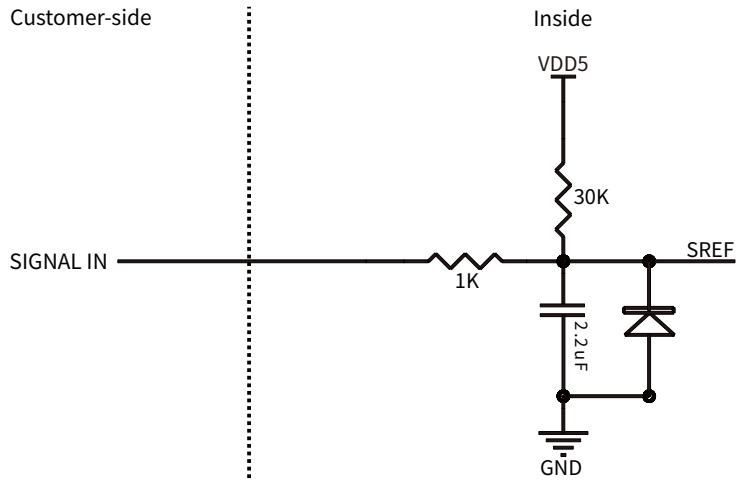


4.2 PQ Data

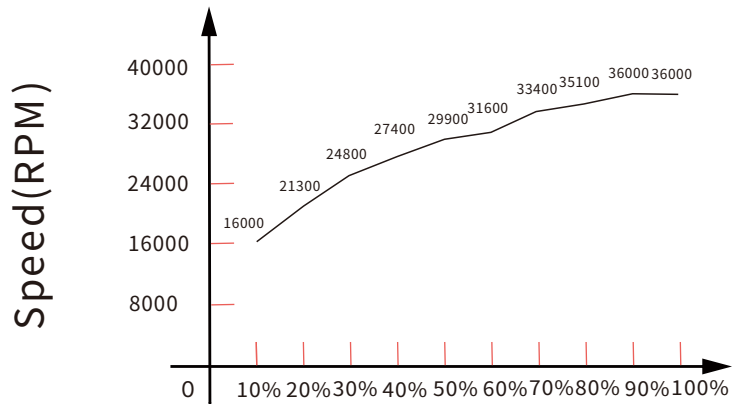
NO.	mmAq	CFM	A	Watt
1	742.25	-0.02	0.87	20.9
2	726.5	3.64	1.64	39.6
3	678	7.01	2.25	54.1
4	424	9.88	2.2	52.9
5	304.25	11.55	2.2	52.9
6	225.75	12.72	2.2	53.1
7	174	13.54	2.19	52.8
8	0	16.17	2.17	52.4

5. PWM Curve

5.1 PWM Connecting Diagram

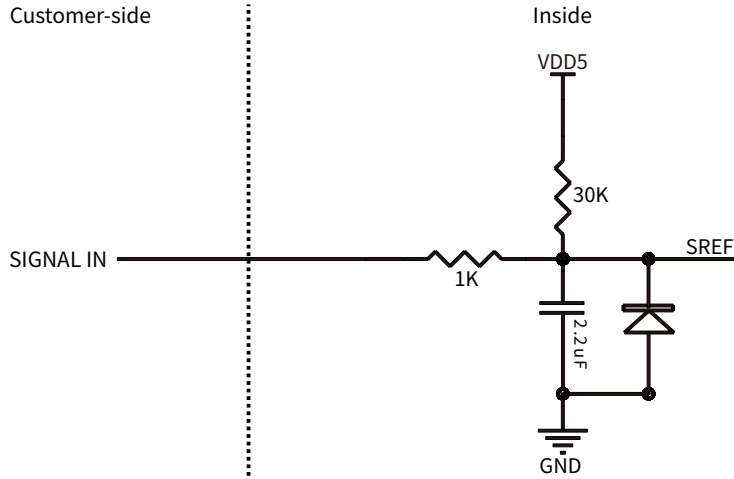


5.2 PWM data curve

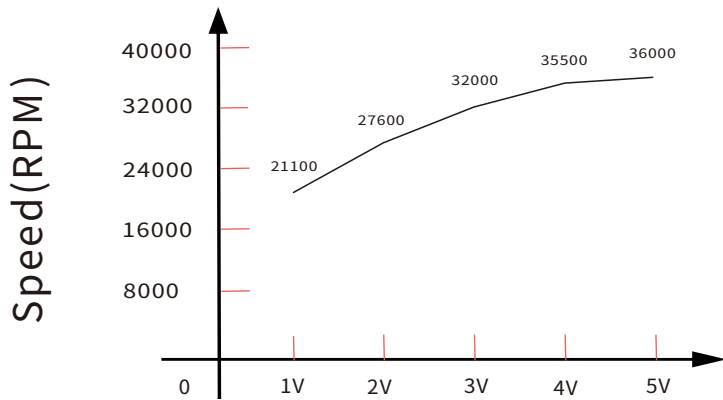


6. 0-5V PWM

6.1 0-5V Connetcting Diagram

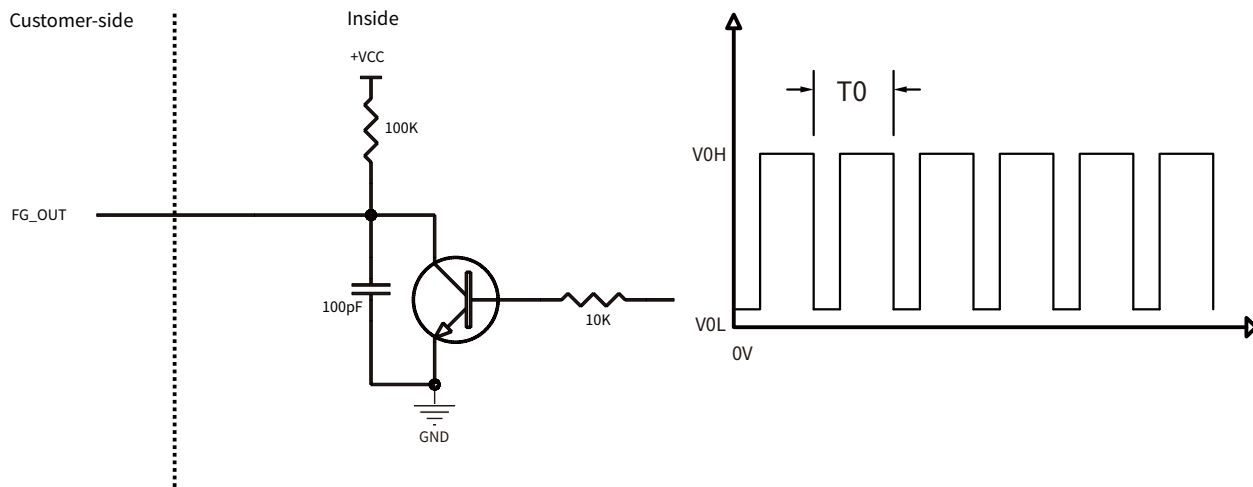


6.2 0-5V data curve



7 . FG Speed Feedback Diagram

Fans with FG function will generate square wave output. By sensing the output wave, the rotational speed frequency of the fan can be known.



8. Temperature Test Report

Temperature test report 温度测试报告												
环境温度 Envirment temperature	4mm outlet出风口			6mm outlet出风口			8mm outlet出风口			outlet 敞开出风口		
	MOS温度	线包温度	电流	MOS温度	线包温度	电流	MOS温度	线包温度	电流	MOS温度	线包温度	电流
	Mos temperature	Coil temperature	Current	Mos temperature	Coil temperature	Current	Mos temperature	Coil temperature	Current	Mos temperature	Coil temperature	Current
60°C	89°C	92°C	1.3A	90°C	93°C	1.7A	92°C	96°C	2.2A	95°C	96°C	2.2A
50°C	81°C	84°C	1.3A	82°C	85°C	1.7A	85°C	89°C	2.2A	87°C	90°C	2.2A
40°C	73°C	77°C	1.3A	73°C	77°C	1.7A	75°C	79°C	2.2A	76°C	79°C	2.2A
25°C	59°C	63°C	1.3A	59°C	62°C	1.7A	60°C	64°C	2.2A	61°C	64°C	2.2A

9. Related Products

Model	Dimension	Voltage	RPM	Air Flow	Air Pressure	Watt

TAKE A CLOSER LOOK

TK FAN solutions for a wide variety of applications, including medical, automation, packaging, industrial, aerospace and defense are only a click away. Visit our worldwide web site for more information.

For product information, vis www.tkfan.com

For more information or the office nearest you, contact us online, sales@tenkai-group.com

However, to ensure that you can smoothly find the relevant person in charge and receive timely reception, it is recommended that you make an appointment in advance by phone or email.